

The low-noise **Trillium 120** is now

Trillium





Trillium I20Q/QA

Specifications subject to change without notice.

SPECIFICATIONS

PERFORMANCE

Self-noise	See plot at right
Sensitivity	1200V-s/m (Reference User Guide for precise value)
Precision	±0.5% relative to User Guide specification
Bandwidth	-3dB points at 120s and 150Hz
Clip Level	>16.6 mm/s up to 10Hz and 0.17g above 10Hz
Temperature	±45°C without re-centering

INTERFACE

Connector	19-pin MIL-C-26482
Velocity Output	40V peak-to-peak differential Selectable XYZ or UVW mode
Mass Position	Three independent voltage outputs
Calibration Input	Single voltage input with one active-high control signal per channel; Calibration with XYZ or UVW
Control Lines	Auto-level & Mass Center, Calibration Enable, XYZ/UVW mode
Serial Port	RS-232 compatible serial IP (SLIP) Onboard web server standard HTTP For enhanced instrument control and status: 120 QA – automatic mass centring / 120 Q – manual mass centring, UVW/XYZ mode, short/long period mode, firmware updates, temperature, mass position, case tilt, instrument status, serial number and factory info

POWER

Supply Voltage	9 to 36 Volts DC isolated input
Power Consumption	560mW typical at 12V input
Protection	Reverse-voltage protection Auto-resettable over-current protection (No fuse to replace)

TECHNOLOGY

Topology	Symmetric triaxial
Feedback	Force balance with capacitive transducer
Mass Centering	Automatic motorized re-centering, can be remotely initiated (T120-QA-SV1)
Leveling	Integrated bubble level; Adjustable locking leveling feet
Alignment	Vertical scribe marks for (N and S); Precision guide in cover for straight-edge, line or laser level; 5/16" holes for alignment rods (E & W)

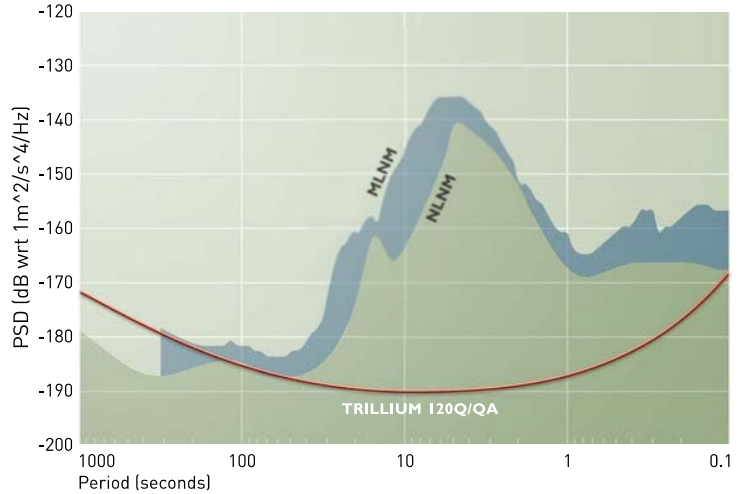
PHYSICAL

Diameter	21.0cm
Height	21.4 cm +/- 0.5cm depending on leveling feet extension
Weight	7.2 kg
Height	238mm (9.37in.), including connector
Handling	Detachable lifting handle on lid

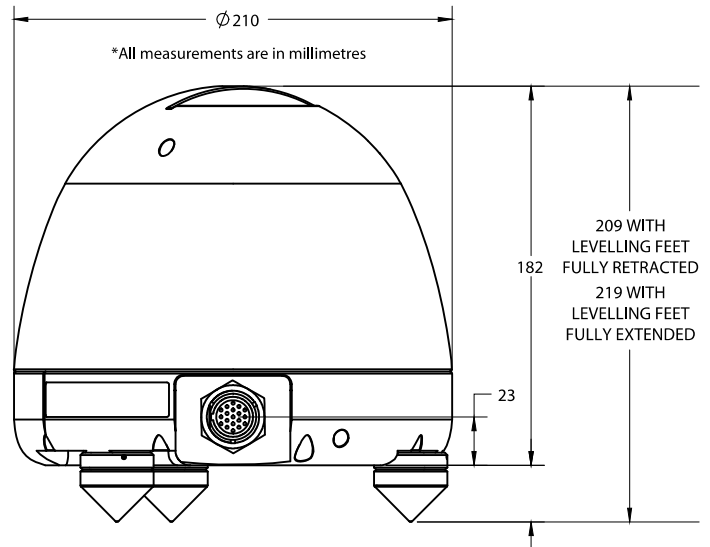
ENVIRONMENTAL

Operating Temp.	-20°C to +60°C (Ultra-low temperature option available. Please contact Nanometrics.)
Storage Temp.	-40°C to +70°C
Optional	Insulating cover available for quick and convenient installation
Humidity	0 to 100%
Shock	20g half sine, 5 ms without damage, 6 axis No mass lock required for transport
Packaging	Rated to IP68 and NEMA6P for outdoor use

SELF-NOISE PERFORMANCE PLOT



Seismometer self-noise plotted against NLNM (after Peterson, 1993) and MLNM (after McNamara and Buland, 2004)



Nanometrics Inc. 250 Herzberg Road, Kanata, Ontario, Canada K2K 2A1
613-592-6776 Fax: 613-592-5929 sales_mkt@nanometrics.ca www.nanometrics.ca
1001.05.04 PRINTED IN CANADA

